

42" Marine Display Unit

- Commercial or military versions available
- 400 cd/m² brightness LED backlight
- 1920 x 1080 Resolution
- Aluminum Bezel
- EMI Glass/Touchscreen optional
- Multi-Function Input Selection:
VGA, DVI, Composite Video
- Military I/O
- Commercial I/O

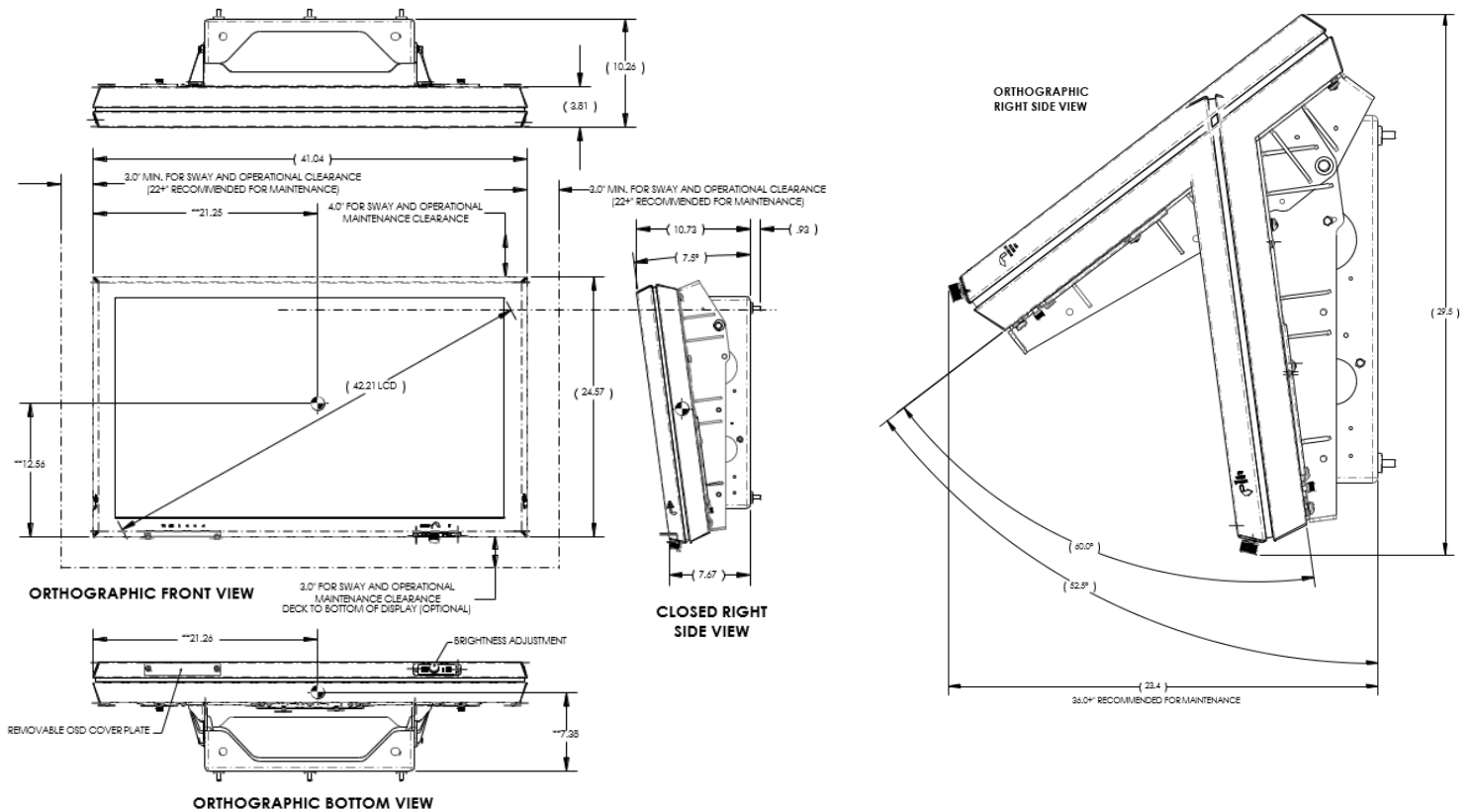


Specifications

LCD	
Resolution	1920 x 1080
Brightness	400 cd/m ²
Brightness Control	0-100%
Viewing Angle	±85° Horizontal / ±85° Vertical
Backlight Inverter	Full Dimming
Colors	16.7 million
Contrast Ratio	1600:1
Touch Screen	Touch Screen: Infra-Red Touch Screen (Standard) Contact COMARK for other options.
Interface	
I/O Ports - Configurable w/ Commercial Interface	(1) VGA - D15S - SUB (1) DVI - D249 (1) Composite - RCA Jack (1) S Video - Mini 4 pin DIO (1) HDMI
Sound	Line In, Out, Stereo Jacks
Electrical	
Voltage	90-264 volts AC
Current	2 amps (Maximum)
Power Consumption	180 watts (Maximum)
Environmental	
Temp, operating	-15 to 55 Celsius
Temp, storage	2 amps (Maximum)

Approvals: NEMA12, Tested to meet MIL 901, 167, 461, 810

Dimensional Drawings



Dimensions subject to change

Physical	
Dimensions	41.04w x 24.57h x 10.72d (with bulkhead bracket).
Weight	45 lbs
Material	Aluminum
Colors	Black
Finish	Fine Texture powder coat
Mounting	Bulkhead Panel Mount
MTBF	25k hours
MTTR	30 minutes swap unit
Rating	IP65 Front / Drip Proof Rear